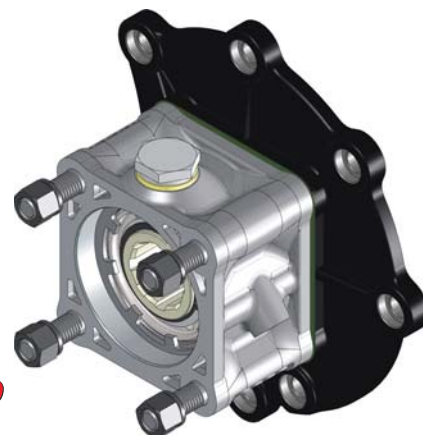




016-016-00133



016-016-00179

PTO for MERCEDES gearbox

We are pleased to inform you that new PTO's for gearbox MERCEDES G60-6/9,2 AND G85-6/6,70.

The order codes for the several versions are the following:

- Pto version 13 (UNI): **016-016-00133**
 - Pto version 17 (ISO): **016-016-00179**
- (link to webpage)

Engagement switch available as optional (Part number: 311-002-17009).

Gearbox	PTO code	Version	Pto ratio@1000 eng.rpm	Max torque	Mounting side	Output	Rotation	Mounting kit
			rpm	Nm				
G 60-6/9,2 G85-6/6,70	16-16-133	13	450	280	Rear	Rear	Cw	154-3-3455
			620					
G 60-6/9,2 G85-6/6,70	16-16-179	17	450	350				
			620					