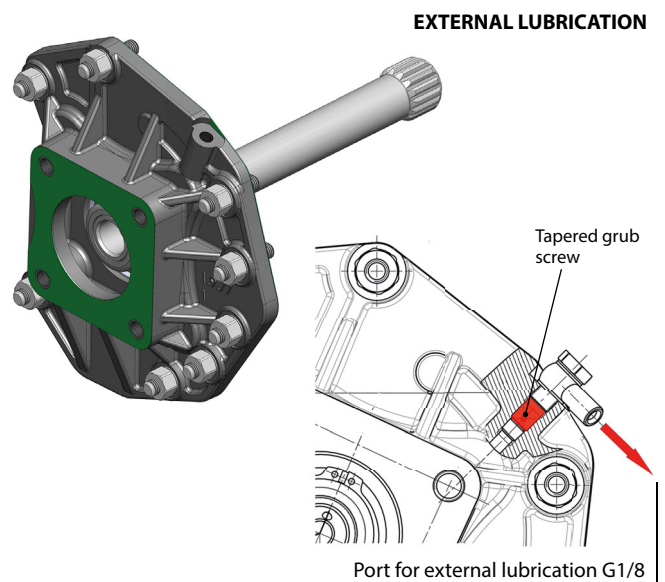
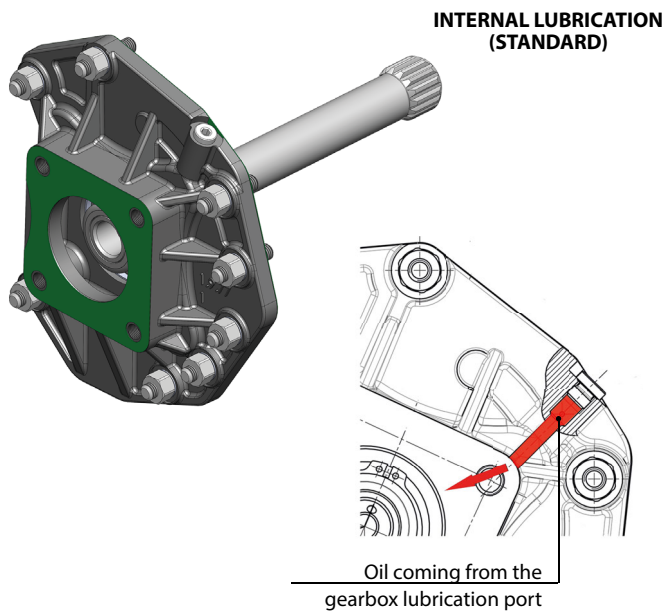


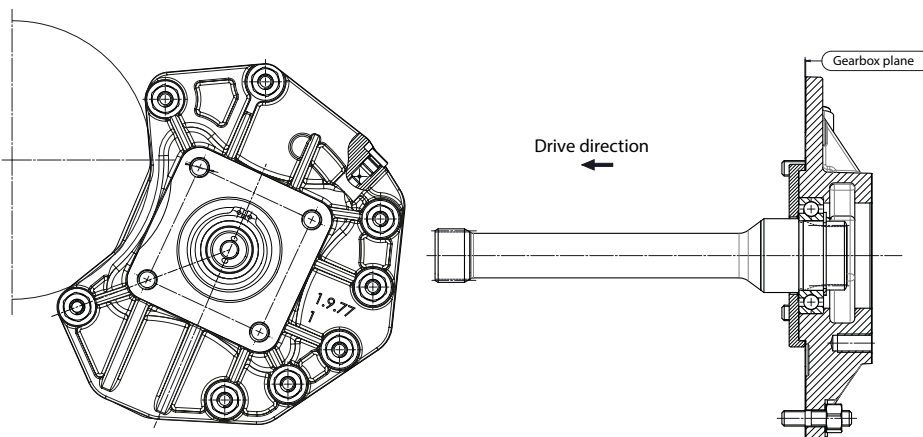
# Quill shaft for new Mercedes Powershift-3 G291-12 e G340-12 gearboxes


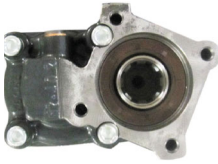

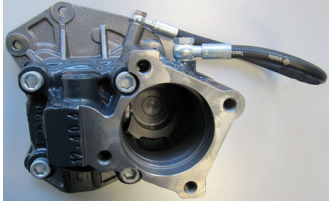






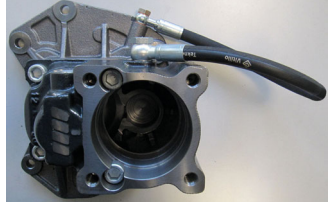





We are pleased to inform you that quill shafts are now available for new series of Mercedes Powershift-3 gearboxes series G291-12 and G340-12 with and without Voith retarder. The new quill shafts allow the installation of a wide range of rear mounting PTO's and also to take advantage of external lubrication in case of dangerous applications.

**Ordering code:** **09391610336** Detroit DT12 OD-OC-DC / Mercedes G291-12, G340-12  
**09391610425** Mercedes G291-12+Voith, G340-12+Voith



## Dimensions



PTO	PTO MOUNTING	LUBE KIT	MOUNTING PICTURES
POWERFUL	Vertical mounting low output 	NOT NECESSARY	
	Horizontal mounting side output 	 09400100225 WITH EYE-WITH EYE	
	Vertical mounting up output 	 09400100234 STRAIGHT-WITH EYE	
POWERTRUCK	Vertical mounting low output 	NOT NECESSARY	
	Horizontal mounting side output 	 09400100225 WITH EYE-WITH EYE	
	Vertical mounting up output 	 09400100243 WITH EYE-90°	
DOUBLE OUTPUT PTO Ø68  010034 010036 010037 010039		  09400100243 WITH EYE-90°	