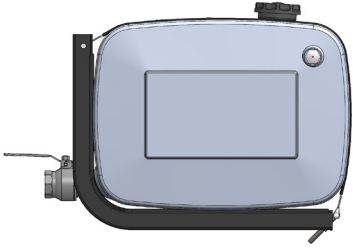
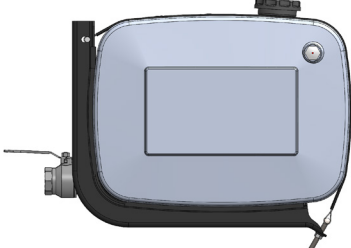


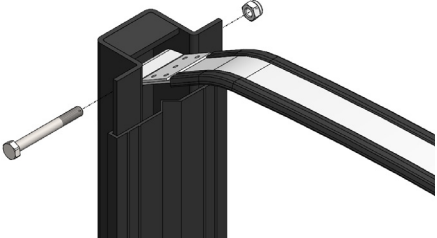
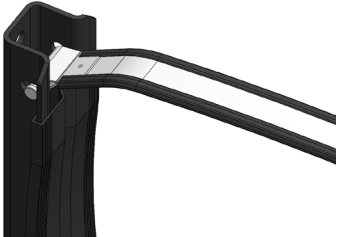
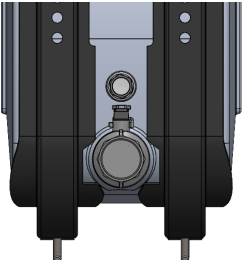
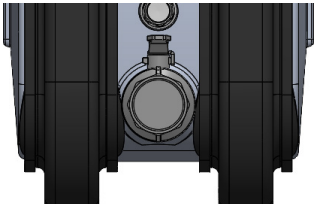


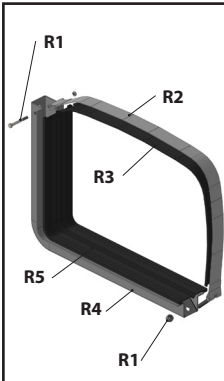
# Mounting kits for oil tanks 480x650

With the goal of constantly improving the quality of our products and their alignment to the technical equipment of the current ranges of industrial vehicles, we inform you that the mounting kits of the side oil tanks "JOLLY P" (dim. 480x650) will be suspended and replaced with new mounting kits that have the following advantages:

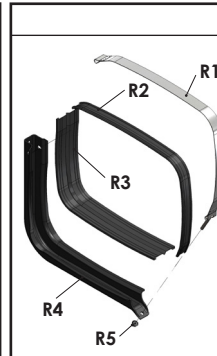
OLD	NEW
	<p>Better coupling tank/fixing kit.</p> 
	<p>Improved support profile to allow a smooth fitting.</p> 
	<p>Self-locking pin instead of screw+nut. Allows a reduction in assembly time.</p> 
	<p>Unified mounting kit for all lengths (version with back recesses no longer required).</p> 

OIL TANKS - range JOLLY P (480x650)		
CURRENT code	Description	New code
135903BPLX0	Fixing kit with stainless steel straps	135903BPLX6
135903BPLX1*		
* version with back recesses no longer required		

**OLD**  
135903BPLX0-135903BPLX1

	Spare parts		
	R1	13590105036	Screws and nuts kit
R2	538200BP1X0	Stainless steel strap for tank	
R3	50620000601	Protection for oil tank strap	
R4	538205BPLG0	Mounting brackets 135903BPLX0	
	538205BPLG5	Mounting brackets DESTRA - 135903BPLX1	
	538205BPLG4	Mounting brackets SINISTRA - 135903BPLX1	
R5	50620000306	Rubber protection	

**NEW**  
135903BPLX6

	Spare parts		
	R1	538200BP1X1	Stainless steel strap for tank
R2	50620000609	Protection for oil tank strap	
R3	50620000801	Rubber protection	
R4	538205BPLG6	Mounting brackets	
R5	13590105125	Pin and nut kit for mounting kit	