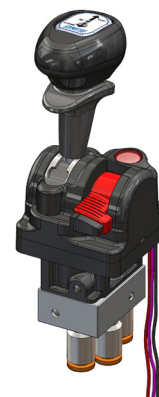


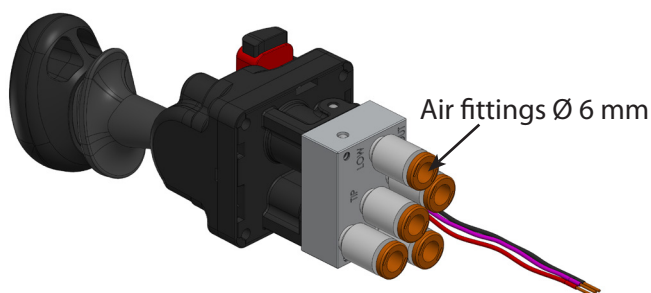
MiNi-Force

TOP CLASS PTO/VALVE CAB AIR CONTROL



The continuous research for improvement and ease of installation of our products has led to the modification of current air controls series MINIFORCE that now offers as a standard:

- 6mm air fittings instead of 4mm air fittings: this change makes installation easier as the air fittings have same dimension of other fittings of the pneumatic circuit, saving on the 4-6mm conversion kit;
- pre-assembled 6mm air fittings

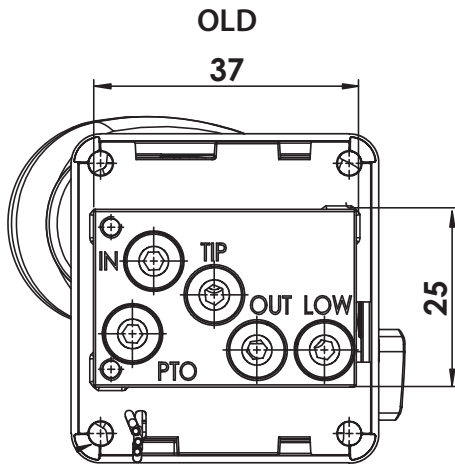


Both modifications allow further saving on installation time.

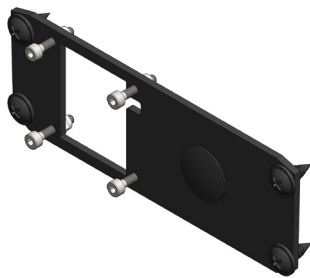
Given the impact of such a modification the part numbers of air controls will change according to the following table:

CURRENT code	Description	New code
10002431003	MINI-FORCE CE DISCESA PTO DISINNES.	10002531003
10002431030	MINI-FORCE CE DISCESA PTO INNESTATA	10002531030
10002431067	MINI-FORCE BLOCK DISCESA PTO INNES.	10002531067
10002431094	MINI-FORCE BLOCK DISC.PTO DISINNES.	10002531094
10002431101	MINI-FORCE BLOCK SALITA/DISCESA	10002531101
10002431110	MINI-FORCE CE SALITA/DISCESA	10002531110
10002431127	MINI-FORCE LOW BLOCK DISC.PTO INNE.	10002531127
10002431209	MINI-FORCE LOW BLOCK DISC.PTO DISI.	10002531209
10002431218	MINI-FORCE LOW BLOCK SALITA/DISCESA	10002531218

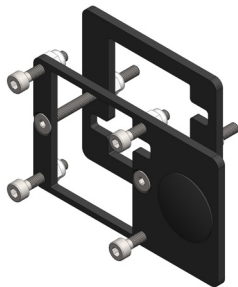
As of consequence of the modification of the overall dimensions are changing and new bracket kits are required:



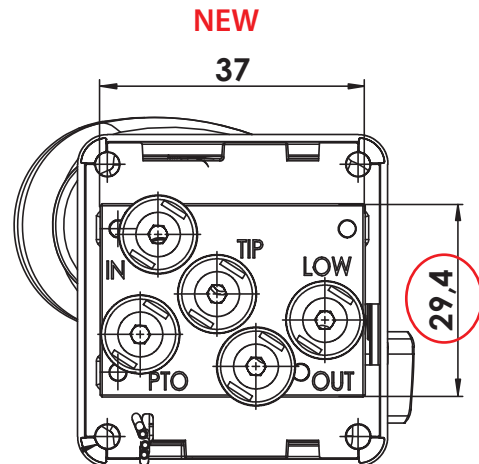
10000270501 : Bracket kit for MINI-FORCE
+ hole option for aux switch - Scania



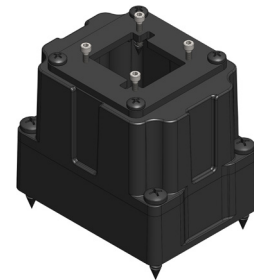
10000270529 : Bracket kit for MINI-FORCE
+ hole option for aux switch - VOLVO/RENAULT



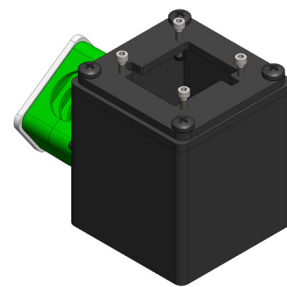
10000270547 : Angled bracket kit plastic



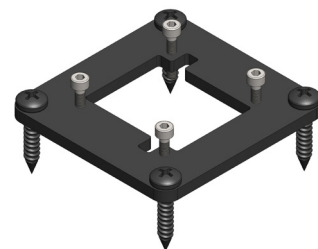
10000270510 : Vertical bracket kit H=80



10000270538 : Bracket kit steel D25



10000270556: Bracket kit



For further technical information please refer to the product data sheets available on our web site www.omfb.com.