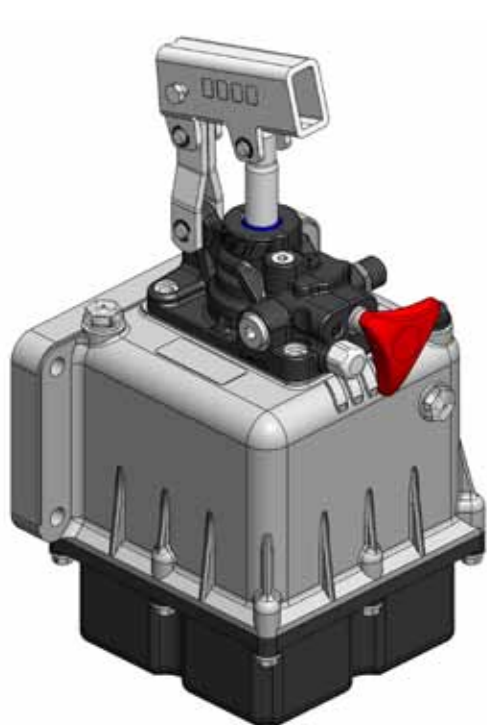


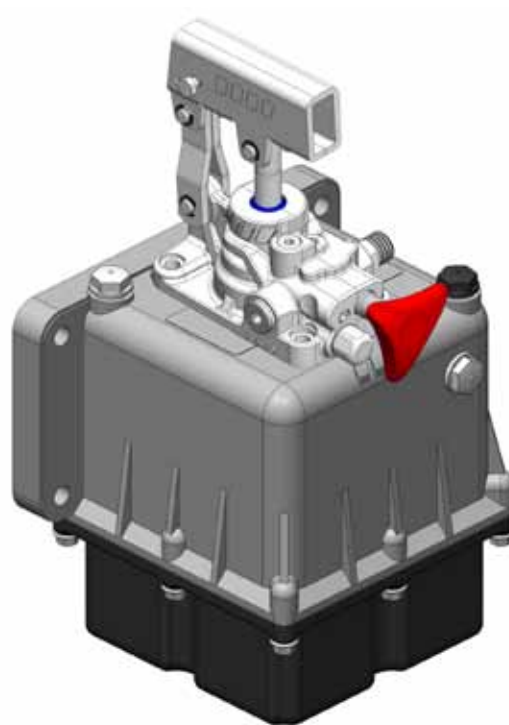
Hand pumps

We are pleased to inform you that from now on the hand pump body for the following versions: PMI, PMI+VS, PMS, PMS+VS will not be manufactured in cast iron with anti corrosive coating treatment RAL 9004 anymore, but with **white galvanisation treatment**.

This new treatment increase the resistance against corrosion of the pumps, offering higher quality at the same price of the previous version.



old version



NEW version

For any information you may need, please contact export department.