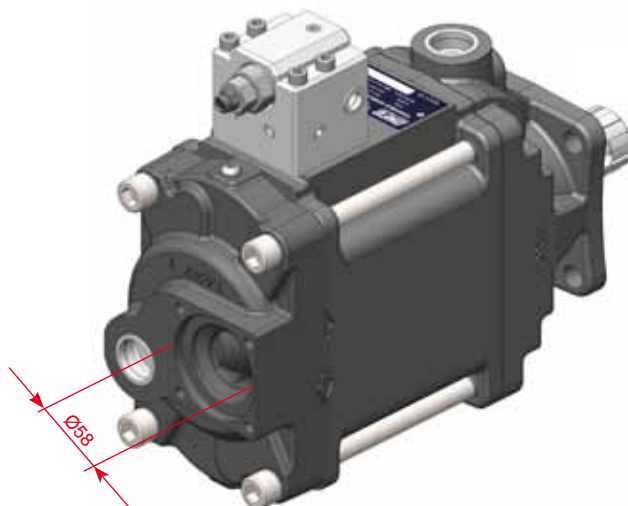


SUCTION FITTINGS for PPV pumps

SUCTION FITTINGS for variable displacement piston pumps series PPV

Our range of "GOLD" fittings is now being added with new versions specifically developed for direct installation on variable displacement piston pumps series PPV.



Straight fittings:

- 15511200507** Straight suction fitting $\varnothing 58$ for hose 50 (60-63)
- 15511200516** Straight suction fitting $\varnothing 58$ for hose 50 (64-67)
- 15511200605** Straight suction fitting $\varnothing 58$ for hose 60 (68-73)
- 15511200632** Straight suction fitting $\varnothing 58$ for hose 63 (74-79)
- 15511200767** Straight suction fitting $\varnothing 58$ for hose 76 (86-91)

Dimensions between parentheses refer to hose external diameter.



Fittings 45°:

15511245639 Suction fitting 45° ø58 for hose 63 (74-79)

15511245764 Suction fitting 45° ø58 for hose 76 (86-91)



Fittings 90°:

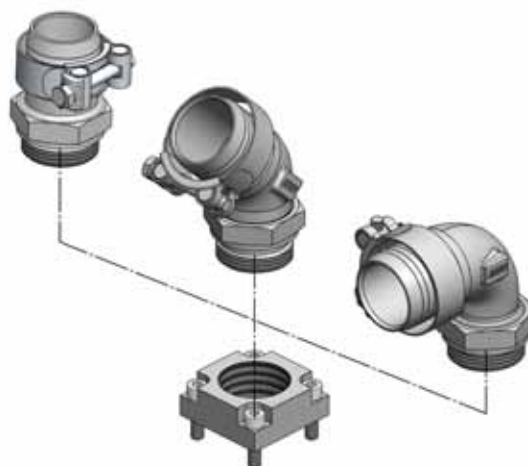
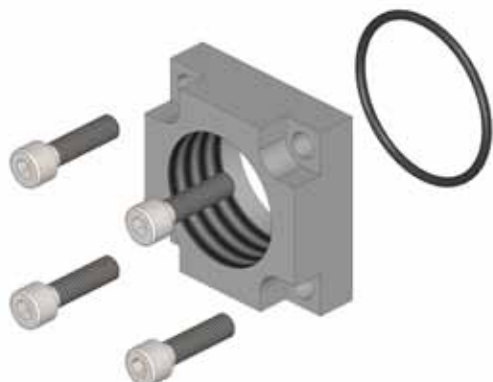
15511290634 Suction fitting 90° ø58 for hose 63 (74-79)

15511290769 Suction fitting 90° ø58 for hose 76 (86-91)



We have also created a new flange to allow installation of GOLD fittings of any type with G1 1/2 thread.

15511300408 Flange kit threaded hole G 1 1/2



For further information please do not hesitate to contact our sales department or visit our web site www.omfb.com.