

NEW BALL VALVE AND FITTINGS

We are glad to announce that our range for oil tanks accessories will now include orientable ball valves and fittings.

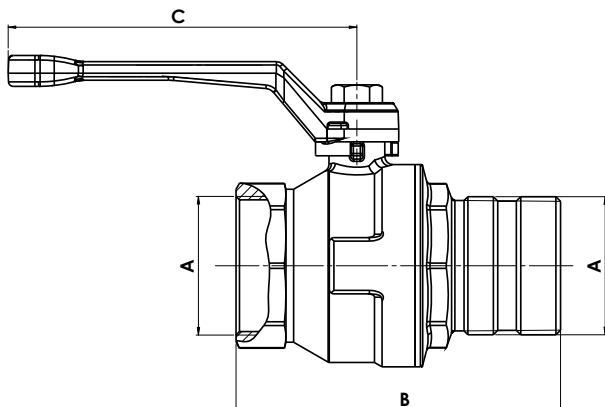
ORIENTABLE BALL VALVES

The new G 1 1/2 and G2 ball valves can be orientated so that handle can be in the most comfortable position for its operation.

Ordering codes:

12600600409
12600600507

G 1 1/2 male/female ball valve
G 2 male/female ball valve



Codes	A	B	C
12600600409	G 1 1/2	122	150
12600600507	G 2	137	150

ORIENTABLE FITTINGS

New 45°/90° version with G2 thread suitable for hoses having 63/76mm internal diameter.

Ordering codes:

15509000700	G2 "GOLD 45°" fitting for hose 63 (74-79)
15509000737	G2 "GOLD 45°" fitting for hose 76 (86-91)
15510000716	G2 "GOLD 90°" fitting for hose 63 (74-79)
15510000743	G2 "GOLD 90°" fitting for hose 76 (86-91)

Dimensions between parenthesis refer to hose external diameter.



For further information please do not hesitate to contact our sales department or visit our web site www.omfb.com.