

# 2014: New Products

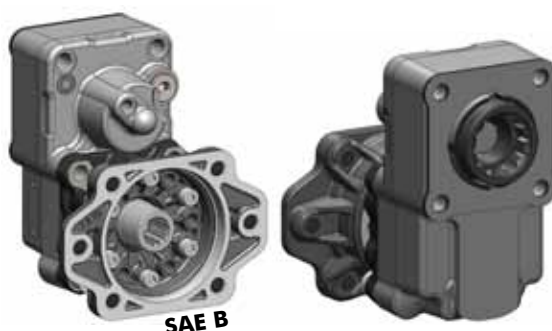
OMFB HYDRAULIC COMPONENTS SPA is continuously engaged in researching new solutions and developing 100% made in Italy products to guarantee the highest reliability, easy installation and use.

## PTO'S AND ACCESSORIES

### PTO 010.077.00525

A new variant of our PTO model 010.077.

Keeping the same features and performances of the main model, the new PTO 010.77.00525 allows now direct coupling of hydraulic pumps with SAE B flange 13teeth shaft standard, typically used in American and South American markets.



[Click for Web link to data sheet](#)

### ADAPTORS FOR ENGINE PTO'S

We are glad to introduce you the new adaptors for genuine Mercedes and Iveco engine PTO's, which allow to mount directly hydraulic pumps having standard ISO 148x32x36 / DIN 5462.



[Click for Web link to data sheet](#)

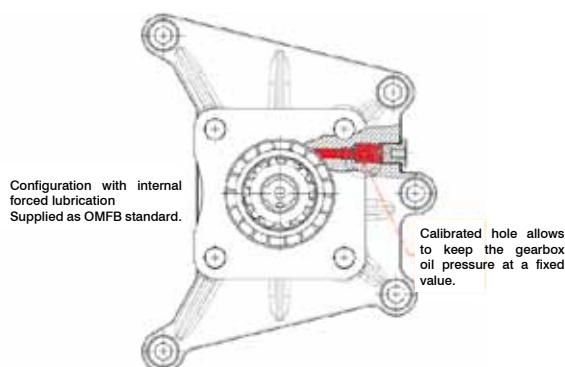
## QUILL SHAFTS HEAVY DUTY SERIES

It is now available the new Heavy Duty series of quill shafts to meet the demand of powerful applications on ZF transmissions series ECOSPLIT and ASTRONIC.

The installation is provided by a cast iron plate fixed to the gearbox by means of nine screws (instead of the traditional four); a hole in the back communicates with the forced lubrication port on the gearbox cover allowing to deliver pressurized oil from the gearbox inside PTO.



Furthermore, the flange offers also the option to bring pressurized oil to the PTO through an external pipe. In fact, outside on the flange there is a plug G 1/4, which can be removed for the connection of an external pipe.



### Click for Web link to data sheet

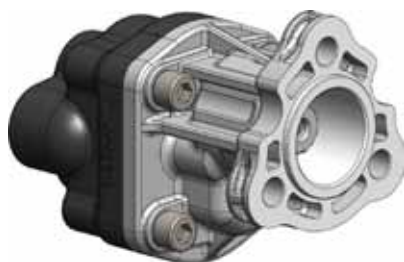
09301080017	QUILL SHAFT-Z14-ZF16S151/221 HEAVY DUTY
09301080044	QUILL SHAFT-Z14-ZF16AS2200+IT HEAVY D.
09301080053	QUILL SHAFT-Z14-ZF16AS2200 HEAVY DUTY
09301080062	QUILL SHAFT-Z14-ZF16S251 HEAVY DUTY
09301080071	QUILL SHAFT-Z14-ZF16S151/221+IT HEAVY D
09301080080	QUILL SHAFT-Z14-ZF16S251+IT HEAVY DUTY
09301080099	QUILL SHAFT-Z14-ZF12AS2541TD+IT HEAVY D

## GEAR PUMPS

The already wide range of gear pumps welcomes now two new models, which can perfectly match all the different requirements coming from hydraulic applications on modern trucks.



**KIPP series:** specifically dedicated to tipper applications on light duty trucks from 3.5 to 8 tons.



[Click for Web link to data sheet](#)

**NPK series:** a new family of gear pumps set between the NPL (light duty range) and NPH (medium duty range) series, just developed to meet the demand of hydraulic applications on trucks such as tippers, access platforms, recovery vehicles and medium duty cranes.



[Click for Web link to data sheet](#)

## HYDRAULIC TIPPING VALVE “MODULTRUCK”

The new hydraulic distributor valve to control single acting cylinders for tipper bodies either on rigid trucks or semitrailers.

Extremely versatile layout especially recommended for applications both on rigid trucks or semitrailers such as tipper bodies and/or moving floors, with option for direct mounting on tanks or onto truck chassis.



### Click for Web link to data sheet

12101800254	MODUL-TRUCK 250	1" DIRECT VALVE
12101800307	MODUL-TRUCK 250	1" PILOT.VALVE
12101800352	MODUL-TRUCK 250	1" CARTR."150"
12101802207	MODUL-TRUCK 250	1" 2PR.MEC
12101802609	MODUL-TRUCK 250	1" 2PR.PNM

### MOUNTING KIT

A wide range of mounting kits is available to make the installation of the valve easier and quick on all the various trucks.



### Click for Web link to data sheet

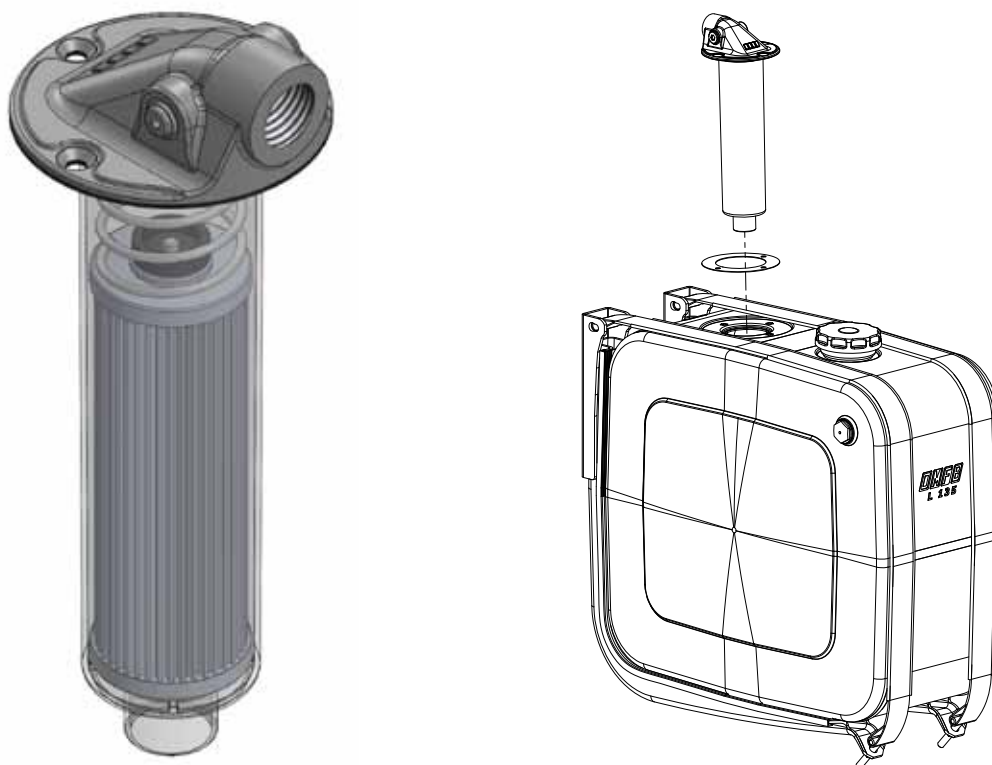
12199400897	KIT MNT.RAL.M-TRUCK	+2 GNT.GIREV 1"
12199400904	KIT MNT.RAL.M-TRUCK	+1 GNT.GIREV 1
12199400913	KIT STAFFA "L"	X MODUL-TRUCK
12199400922	KIT STAFFA "L"+1 GIR.1"	X M-TRUCK
12199400931	KIT STAFFA "L"+2 GIR.1"	X M-TRUCK
13590400109	KIT TUBO SCARICO 1"	FILTRO-SRB.200L

## MULTIFUNCTIONAL RETURN SYSTEM CAP

New shaped aluminum cap with reduced overall dimensions.

In combination with our new range of oil tanks, the new cap offers high versatility thanks to the several options available: single port G1 version or version with two auxiliary ports of G3/8 and G1/8 for pressure gauge and/or clogging indicators.

It can be used as simple extra return kit on an oil tank or through the combination of filter cartridges as a proper return filter.



[Click for Web link to data sheet](#)

## HAND PUMPS SERIES OFFSHORE

The well-known and appreciated range of OMFB hand pumps offers now a special brand new version that ensures high resistance against corrosion required in some specific applications such as wind, marine or ship industries.

Thanks to our research and experience we have worked out a special treatment that allows a resistance of at least 700 hours in salt spray fog environment.



**Click for Web link to data sheet**

PMS 12-25-45

PMS+VS 12-25-45

PMI 12-25-45

PMI+VS 12-25-45