

KNOCK-OFF VALVE PUSH TYPE

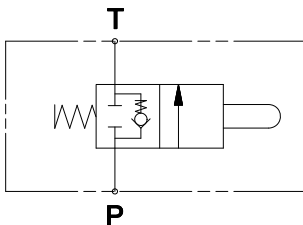
OMFB is glad to introduce the new knock-off valve push type.



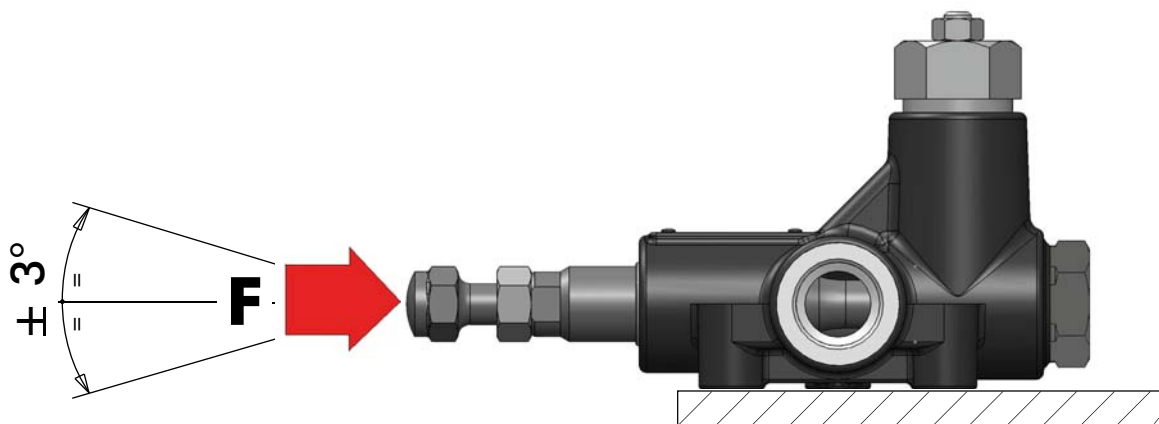
Push button valve designed for the use on trailers and semi-trailers to stop the run of tipper cylinders. The valve is normally closed, is mounted on the cylinder and diverts the oil to drain when operated by the cylinder itself. An antishock valve is also present to avoid damages on the cylinder.

Technical features:

- Mechanical activation by pushing.
- Flow up to 150L
- Nodular cast iron body for pressure up to 400 bar
- Cathaphoresis coated casting.
- Reduced overall dimensions.



Code	Antishock valve setting pressure bar	Flow l/min	P ISO 228	T ISO 228	Seal kit
121-036-00150	190	150	G 3/4	G 3/4	121-900-04091



PS. The working force **F** has to be higher than $15 + p \times 3.8$, where p is the oil pressure in bar.