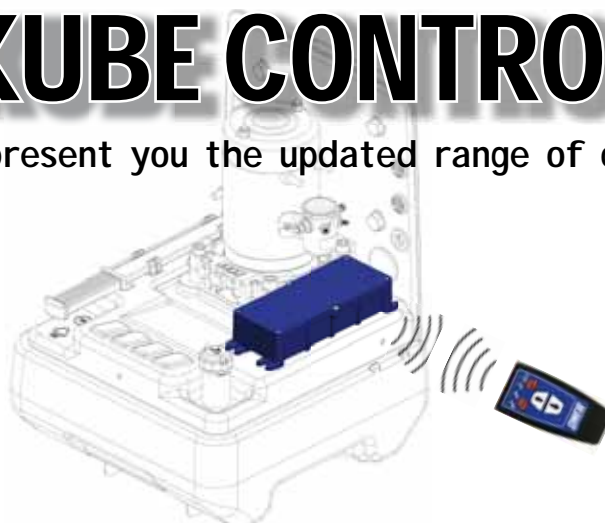


## KUBE CONTROLS

We are pleased to present you the updated range of controls for KUBE power packs.



Radio remote and receiver control:

WL RE - 2 channels:	WL - 2 channels:	WL - 6 channels:
<b>101-050-70174</b>	<b>101-050-70156</b>	<b>101-050-70165</b>

The radio remote and receiver controls 101-050-70174 WL, 101-050-70156 and 101-050-70165 can operate within a distance of 10 meters and have already included 2xAAA batteries in the sender unit.

Radio remote control:

QUASAR - 4 channels FM:	QUASAR - 6 channels FM:
<b>101-050-70136</b>	<b>101-050-70145</b>




The radio remote controls 101-050-70136 - 101-050-70145 Quasar are based on FM transmission and cover a distance of more than 50 meters; sender unit complete with rechargeable accumulators and battery charger, keypad with backlight.



## Push-button panels:

	1A1 - 1A2	<b>149-155-10043</b>
	RE	<b>149-155-10052</b>
	2A1 - 2A2	<b>149-155-10061</b>

## Console types directly fixed on vehicle chassis:

	Console 1 button + 1 light	<b>101-045-00011</b>
	Console 2 buttons + 1 light	<b>101-045-00020</b>
	Console 3 buttons + 1 light	<b>101-045-00039</b>