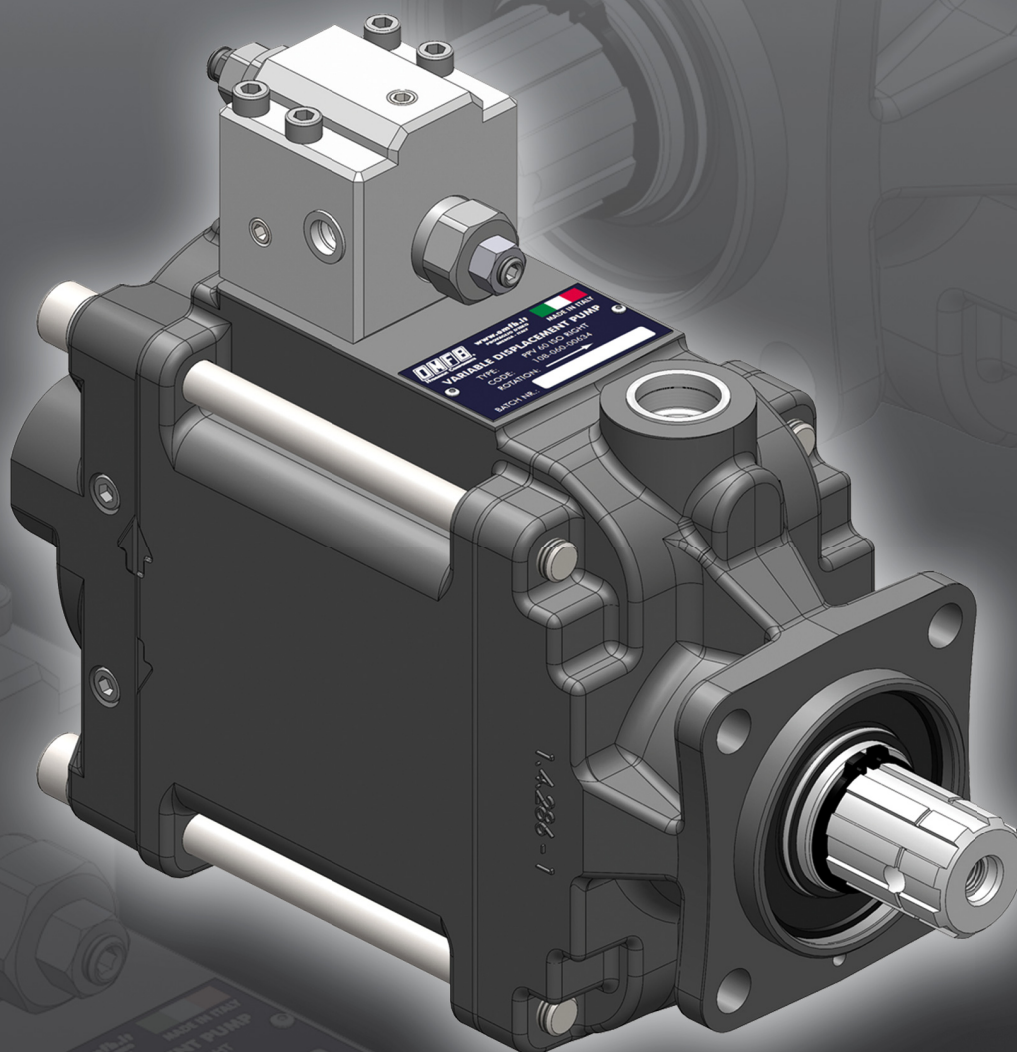


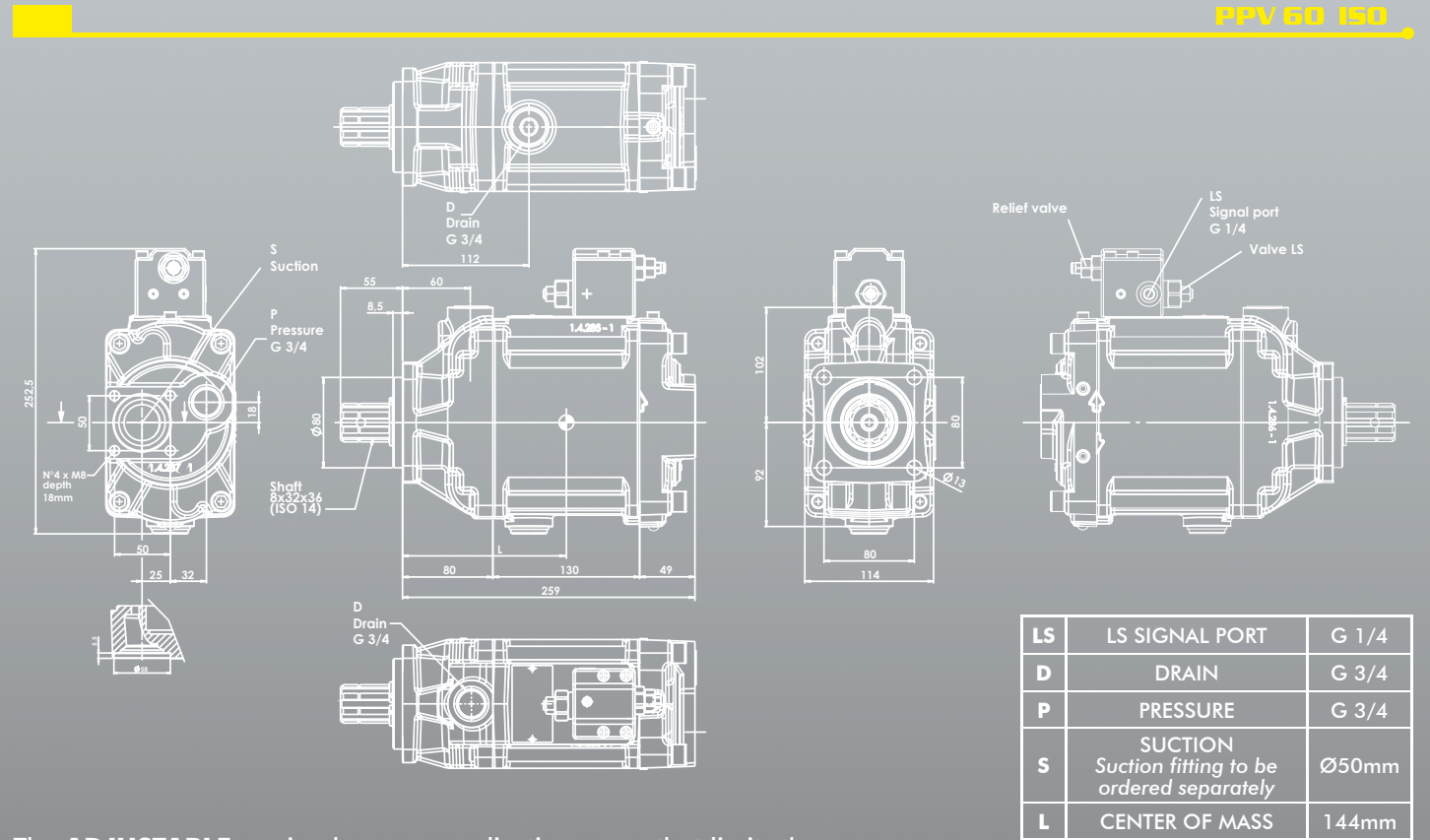
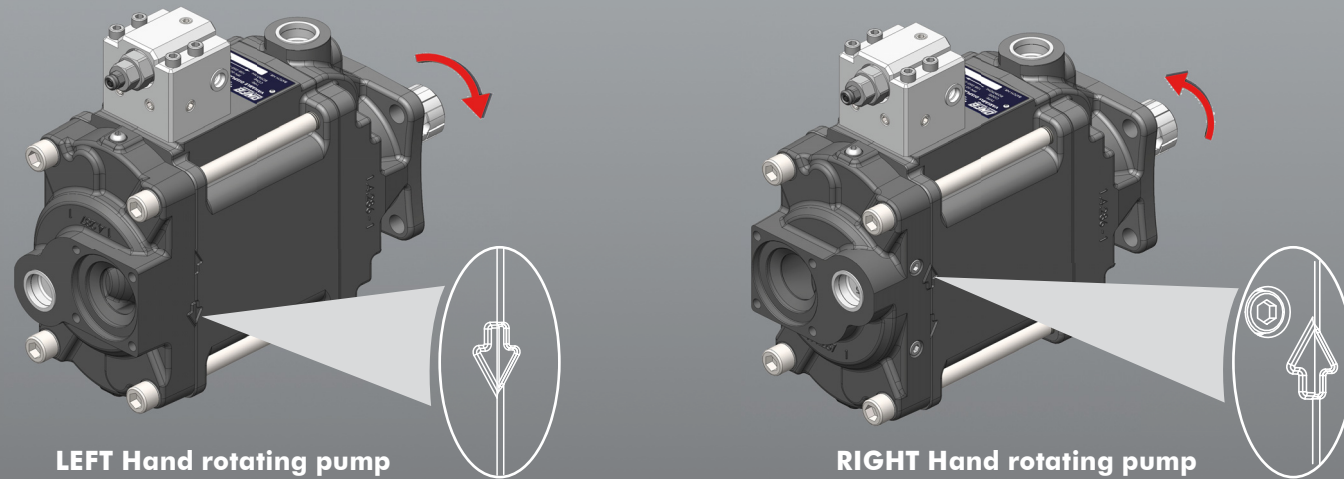
“PPV” VARIABLE DISPLACEMENT PUMPS

Variable displacement axial piston pumps with LOAD SENSING LS regulator. Thanks to their reduced width, they can be mounted directly on the PTOs for commercial vehicles.



Variable displacement pumps

The OMFB variable displacement axial piston pump has got a swash plate. The displacement of the pump depends on the stroke of the pistons, which is determined by the inclination of the swash plate. At the start, the pump is at its maximum displacement position because of the springs pushing against the swash plate. The displacement of the pump is reduced by means of two pistons hydraulically operated that win the force of the springs. The cylinders block rotates together with the shaft forcing the pistons to rotate at the same speed of the shaft and make a circular path on the swash plate that causes the reciprocating movement. In this way, the pump is able to deliver from the maximum to zero flow rate. The variation of the displacement is controlled by a regulator, which is fitted on the pump itself. These pumps are designed to operate in open circuit. They allow very quick reaction time and thanks to its compact size they can be coupled directly onto PTO's of commercial vehicles. When ordering please specify the required direction of rotation.

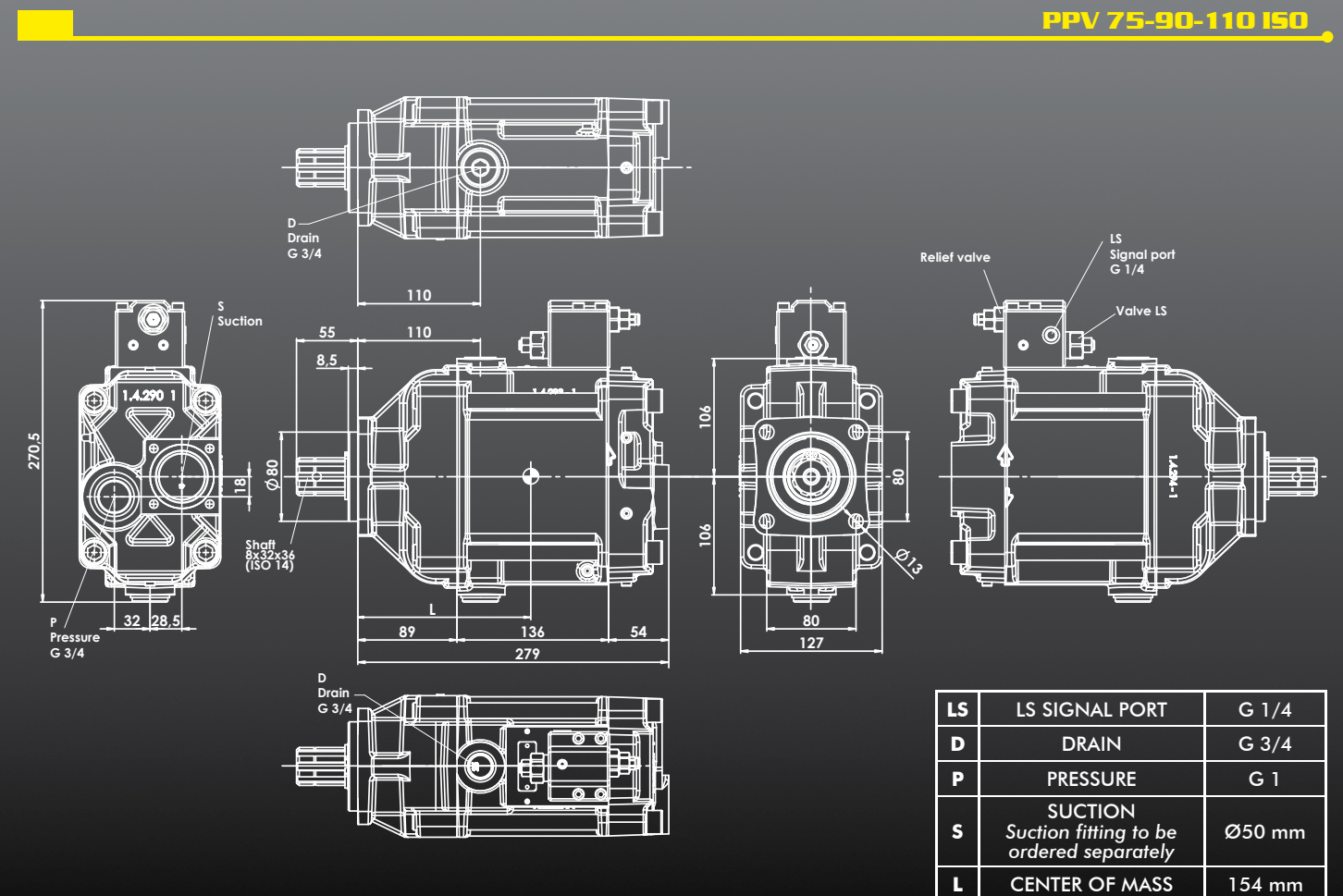


The **ADJUSTABLE** version has a rear adjusting screw that limits the pump displacement to less than the nominal rating.

PPV 60 SAE C version also available.

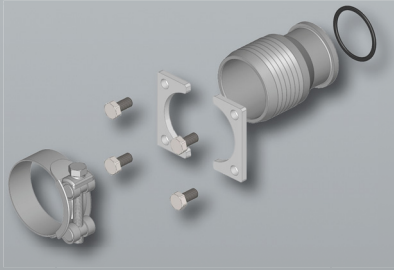
| ORDER CODES | | | | | | |
|------------------------|------------------------|------------------------|-------------------------|------------------------|------------------------|------------------------|
| PPV 60 | PPV 60 ADJUSTABLE | PPV 60 SAE C | PPV 60 SAE C ADJUSTABLE | PPV 75 | PPV 90 | PPV 110 |
| 108-060-00625 left | 108-060-20621 left | 108-061-00606 left | 108-061-20602 left | 108-060-00778 left | 108-060-00929 left | 108-060-01124 left |
| 108-060-00634 right | 108-060-20630 right | 108-061-00615 right | 108-061-20611 right | 108-060-00787 right | 108-060-00938 right | 108-060-01133 right |

| TECHNICAL FEATURES | PPV60 | | PPV75 | | PPV90 | | PPV110 | |
|---|------------------|-------------|------------|--------------|------------|--------------|------------|--------------|
| | PPV60 ADJUSTABLE | PPV60 SAE C | Continuous | Intermittent | Continuous | Intermittent | Continuous | Intermittent |
| Flow | 60 l/min. | | 75 l/min. | | 90 l/min. | | 110 l/min. | |
| Max. swash plate angle | 21,5° | | | | | | | |
| Working pressure | 375 bar | 400 bar | 375 bar | 400 bar | 375 bar | 400 bar | 375 bar | 400 bar |
| Absolute inlet pressure required in open circuit | 0,85 bar | | | | | | | |
| Max. permissible housing pressure (static/dynamic) | 3 bar | | | | | | | |
| Max. permissible inlet pressure (static/dynamic) | 2 bar | | | | | | | |
| Max. speed during suction operation and max. swash plate angle at 1 bar abs. Inlet pressure | 2500 rpm | | 2400 rpm | | 2300 rpm | | 2200 rpm | |
| Max. speed with zero stroke and 1 bar abs. Inlet pressure | 3000 rpm | | | | | | | |
| Min. speed in continuous operation | 500 rpm | | | | | | | |
| Required drive torque at 100 bar | 100 Nm | | 125 Nm | | 150 Nm | | 185 Nm | |
| Drive power at 250 bar and 2000 rpm | 53 kW | | 80 kW | | 100 kW | | 120 kW | |
| Weight | 24 Kg | | 26 Kg | | 29 Kg | | 30 Kg | |



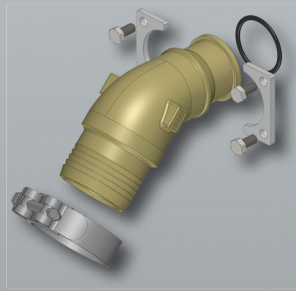
ACCESSORIES – Suction fittings

Straight fittings



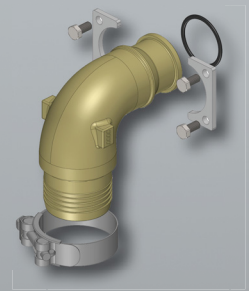
| Code | D | DE |
|---------------|----|-------|
| | mm | mm |
| 155-112-00507 | 50 | 60-63 |
| 155-112-00516 | 50 | 64-67 |
| 155-112-00605 | 60 | 68-73 |
| 155-112-00632 | 63 | 74-79 |
| 155-112-00767 | 76 | 86-91 |

Fittings 45°



| Code | D | DE |
|---------------|----|-------|
| | mm | mm |
| 155-112-45639 | 63 | 74-79 |
| 155-112-45764 | 76 | 86-91 |

Fittings 90°

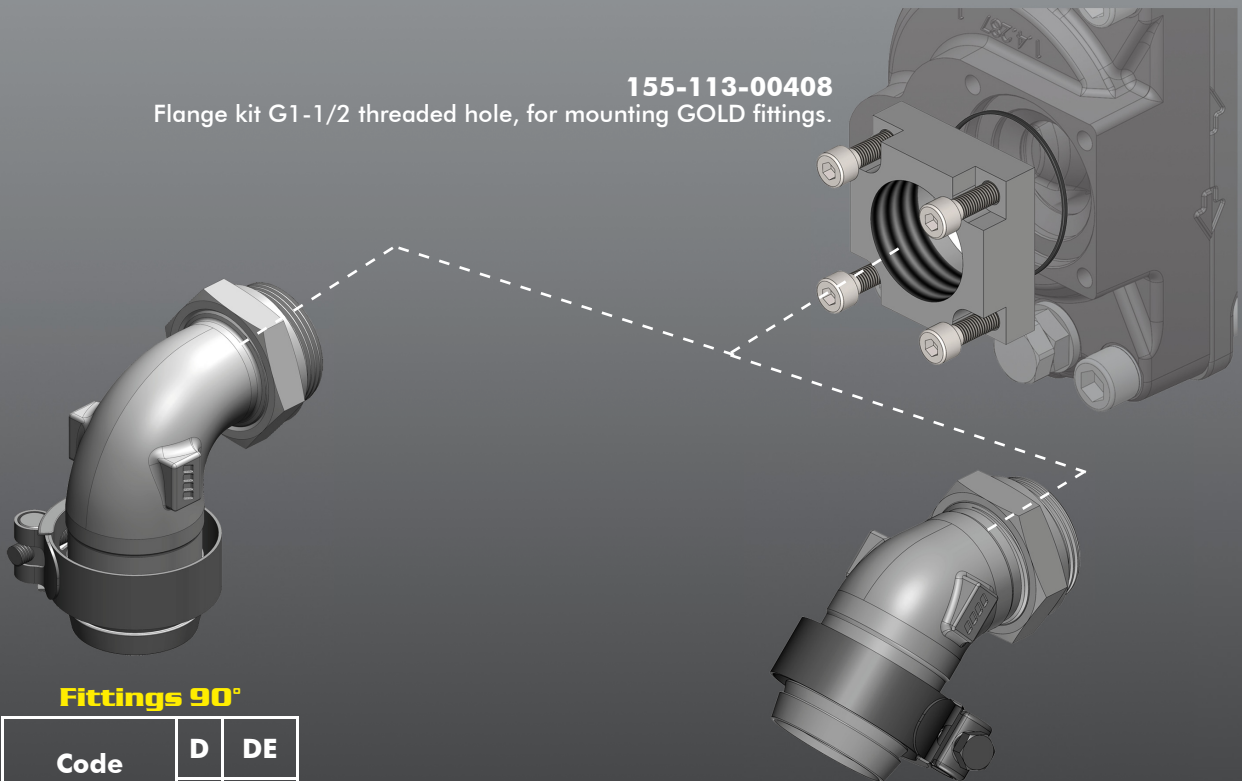


| Code | D | DE |
|---------------|----|-------|
| | mm | mm |
| 155-112-90634 | 63 | 74-79 |
| 155-112-90769 | 76 | 86-91 |

Flange kit for mounting GOLD fittings

155-113-00408

Flange kit G1-1/2 threaded hole, for mounting GOLD fittings.



Fittings 90°

| Code | D | DE |
|---------------|----|-------|
| | mm | mm |
| 155-100-00592 | 50 | 60-63 |
| 155-100-00609 | | 64-67 |
| 155-100-00654 | 60 | 68-73 |

Fittings 45°

| Code | D | DE |
|---------------|----|-------|
| | mm | mm |
| 155-090-00540 | 50 | 60-63 |
| 155-090-00559 | | 64-67 |
| 155-090-00611 | 60 | 68-73 |

